



15 Novembre 2024
Centro Congressi
Nuova Fiera del Levante, Bari



MEDITERRANEAN DATA CENTER MEETING

Digital&green: the twin
transition opportunities

Co-organizzatori



Provider autorizzato





L'ottimizzazione dei sistemi di condotti sbarre nei nuovi Data Center scalabili e resilienti.



IL GRUPPO EAE



FONDATO NEL
1973



5
SITI
PRODUTTIVI



280.000 m²
DI AREA DI PRODUZIONE



3 CENTRI
R&D

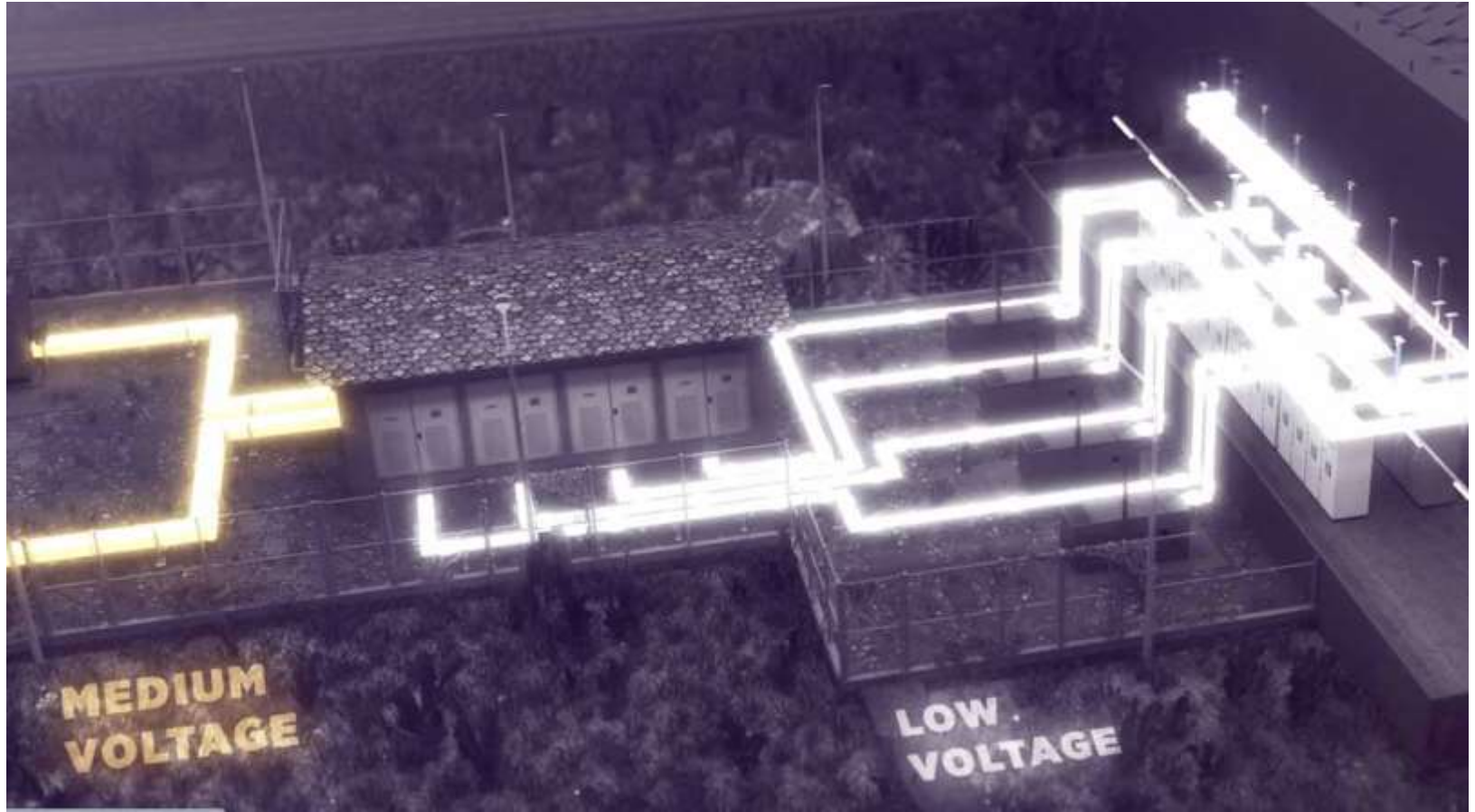
PRESENTE IN PIU'
DI **100**



IL GRUPPO EAE













• LIGHTER



• EASIER MECHANICAL SUPPORT



• REUSABLE



• QUICKER INSTALLATION TIME

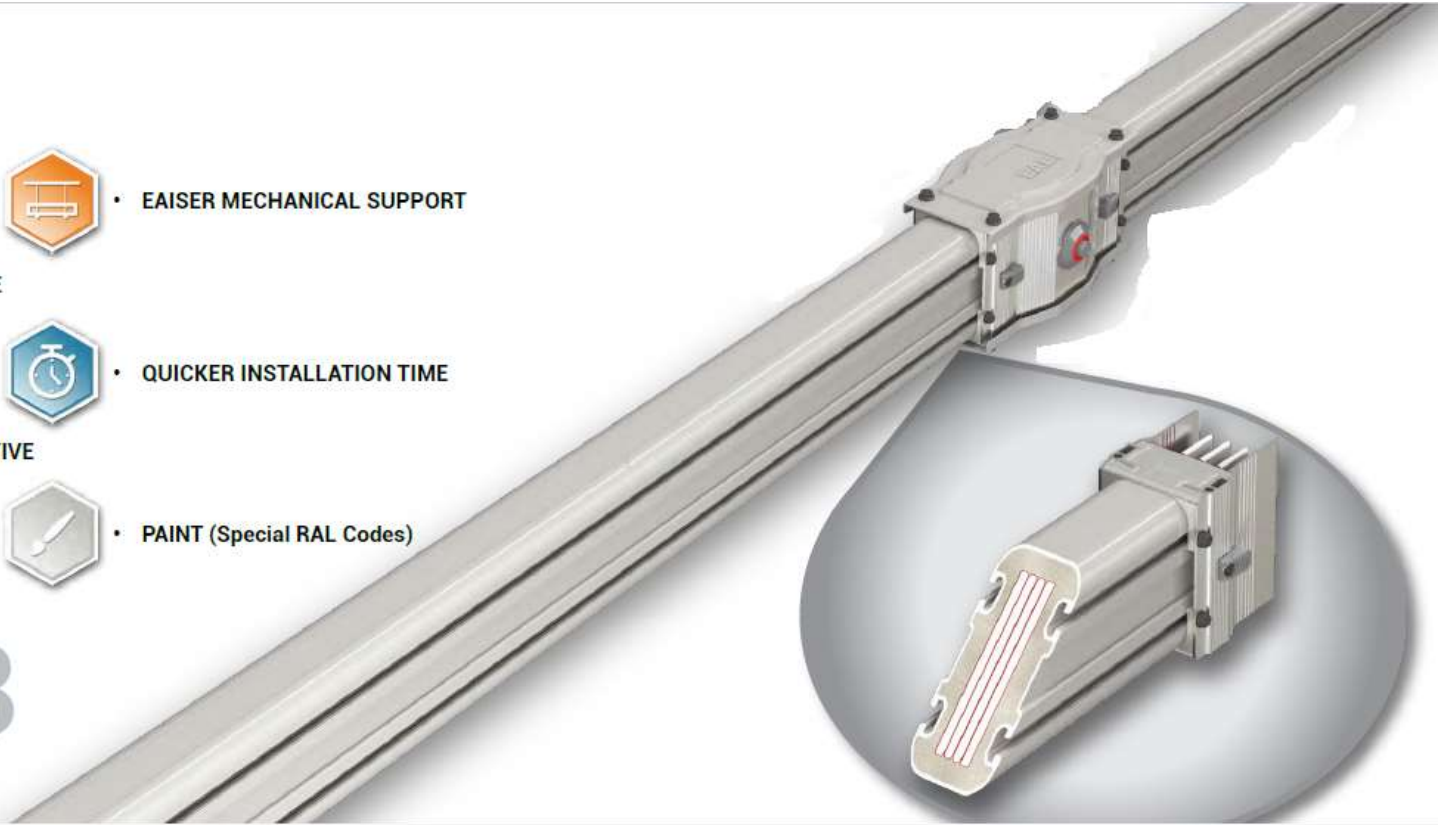


• COMPETITIVE



• PAINT (Special RAL Codes)

IP68



Cast Resin

Rated Current	Weight (CU; m/kg)
800	36
1000	44
1250	56
1600	70
2000	95
2500	114
3000	140
3200	156
3600	173
4000	200
5000	226
6300	336

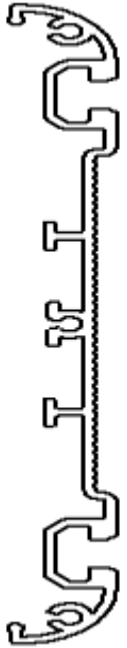
% 40-50 lighter

New CCR

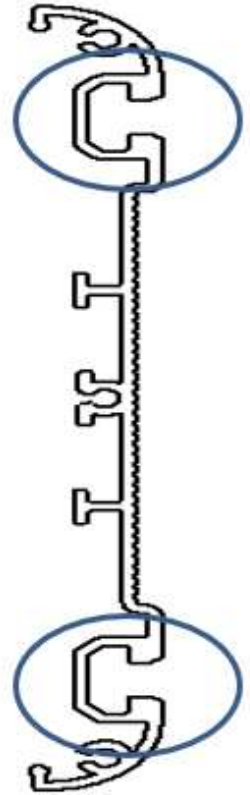
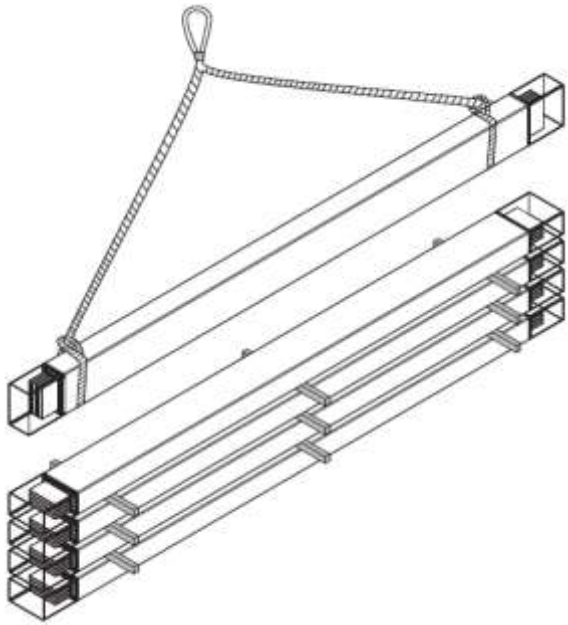
Rated Current	Weight (CU; m/kg)
800	
1000	23,5
1250	31
1600	41
2000	54,5
2500	61
3000	
3200	82
3600	
4000	102
5000	138
6300	







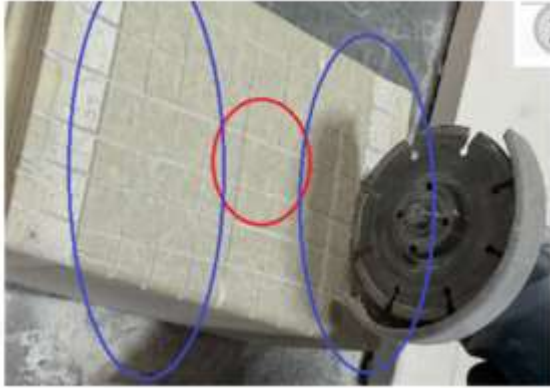
Al Housing has grooves both side Slide T Bolts Fix



Using grooves and T-blot help for hanging easier



CR



Diamond Cutter

Broach

Hammer



Some issues happen which you need to break joints
(poor joint, water , low megger values etc.
Even you break joint carefully, conductors could be damage
The main point is time (it takes almost 1 day to repair)

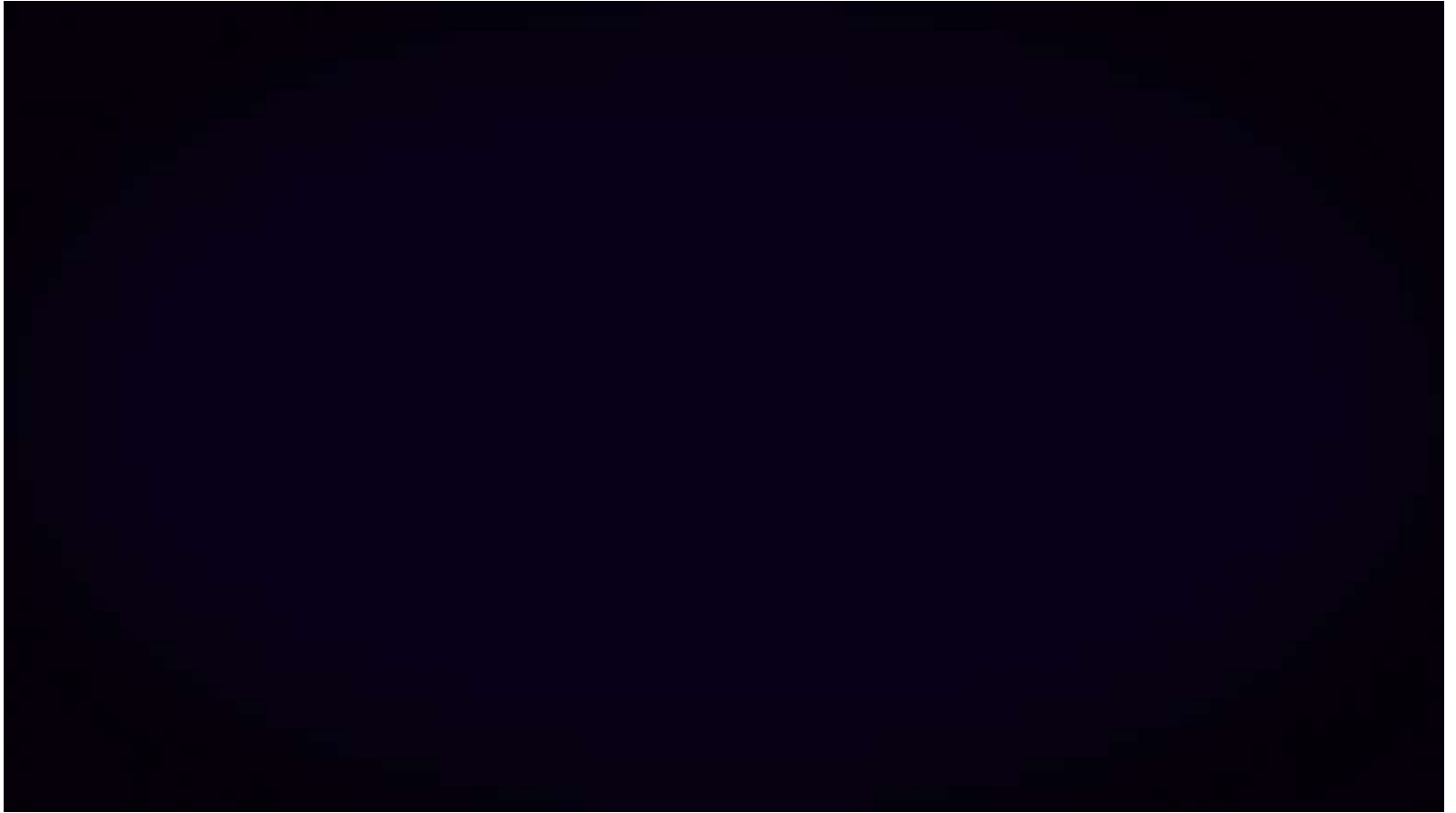
- Breaking
- Reinstall block joint
- Mould & Filling Process



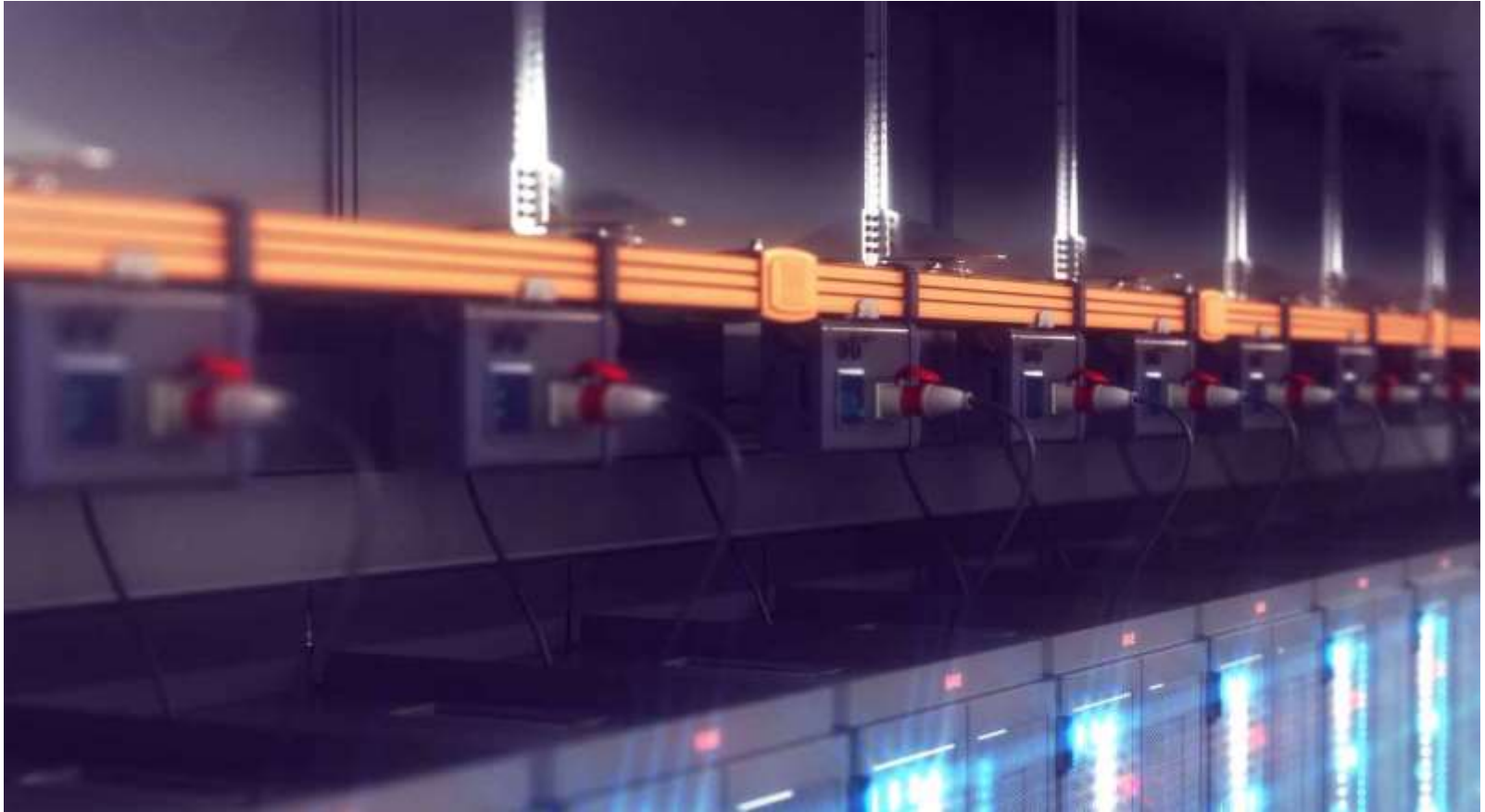


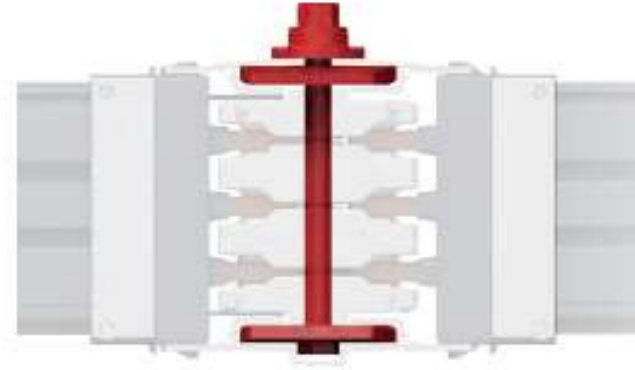
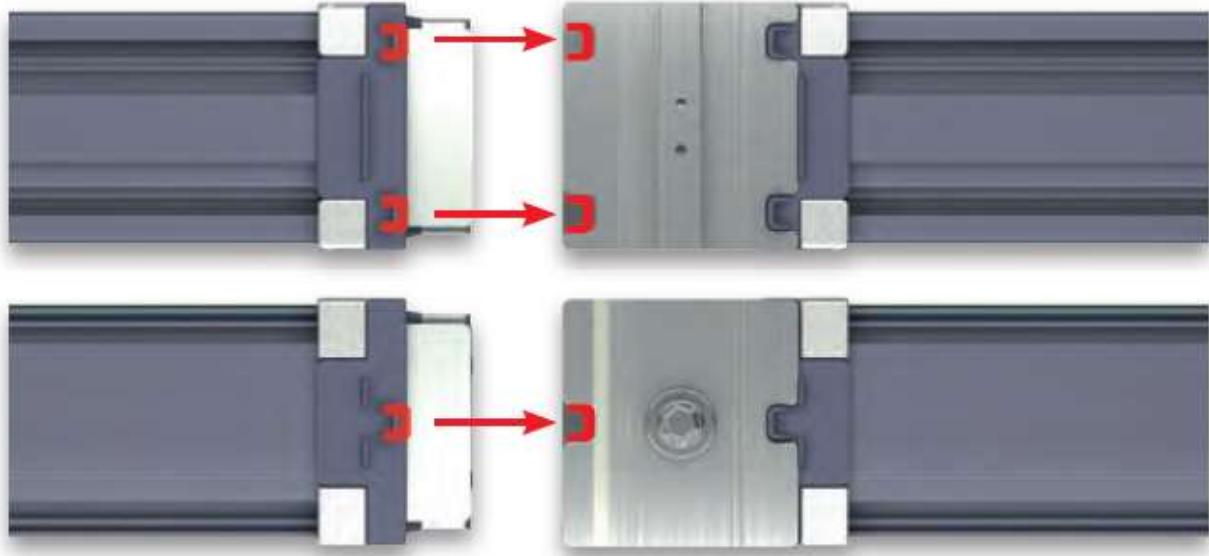






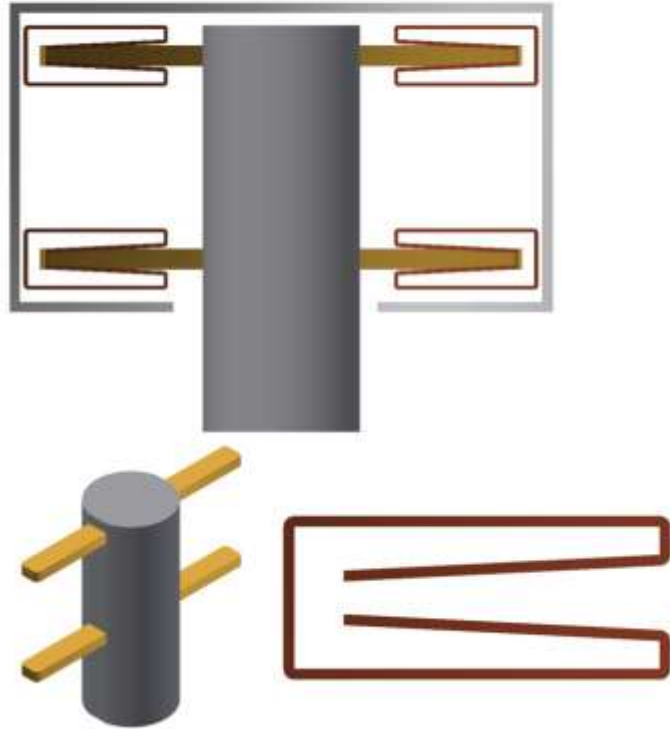




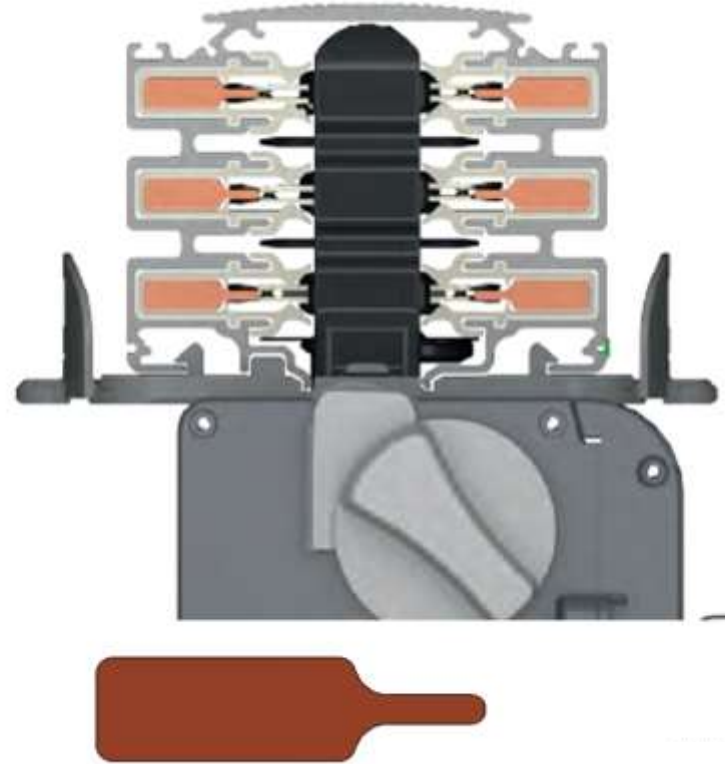


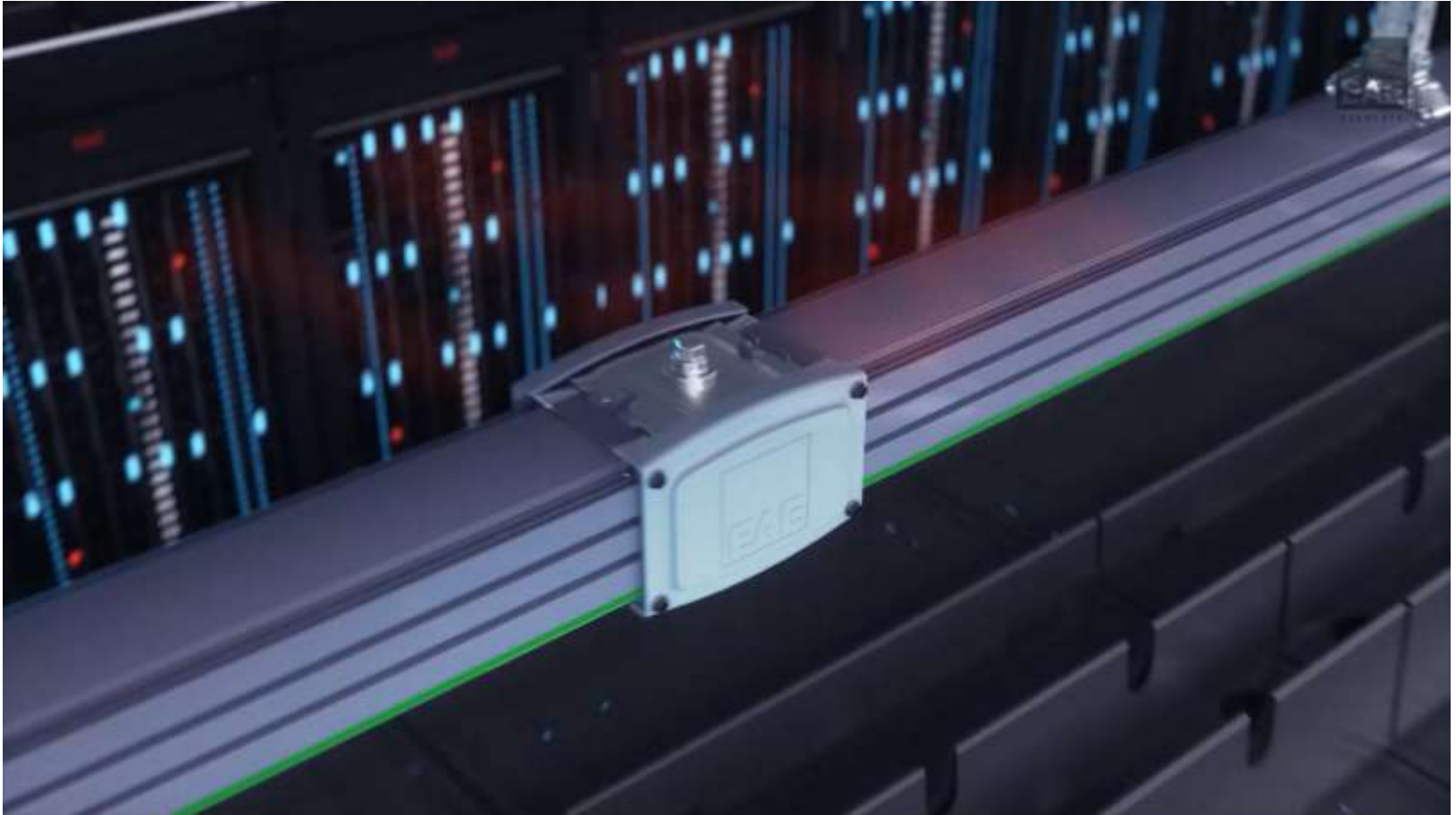


Existing Solutions in the Market

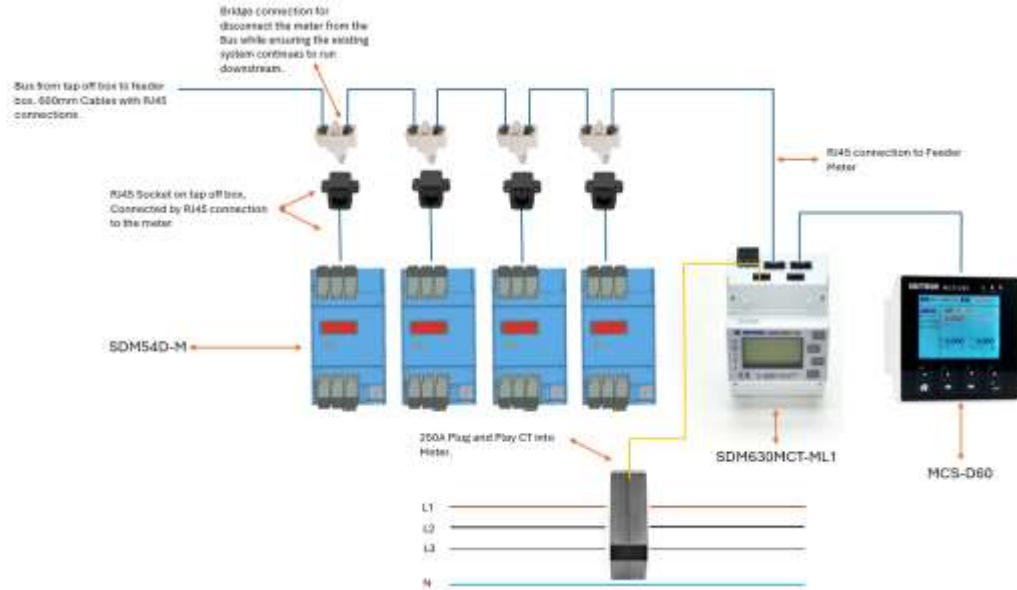


KD











THANK YOU FOR YOUR
ATTENTION